

# Palm HL58 Series LED Luminaire



## Feature

Contemporary Led street lighting

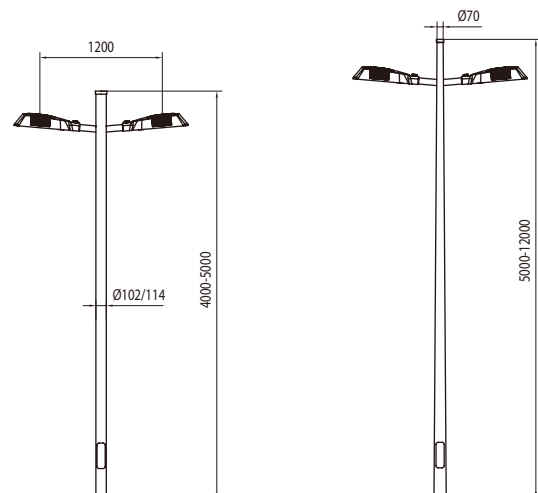
Very High quality for upmarket

High efficiency acrylic refractor

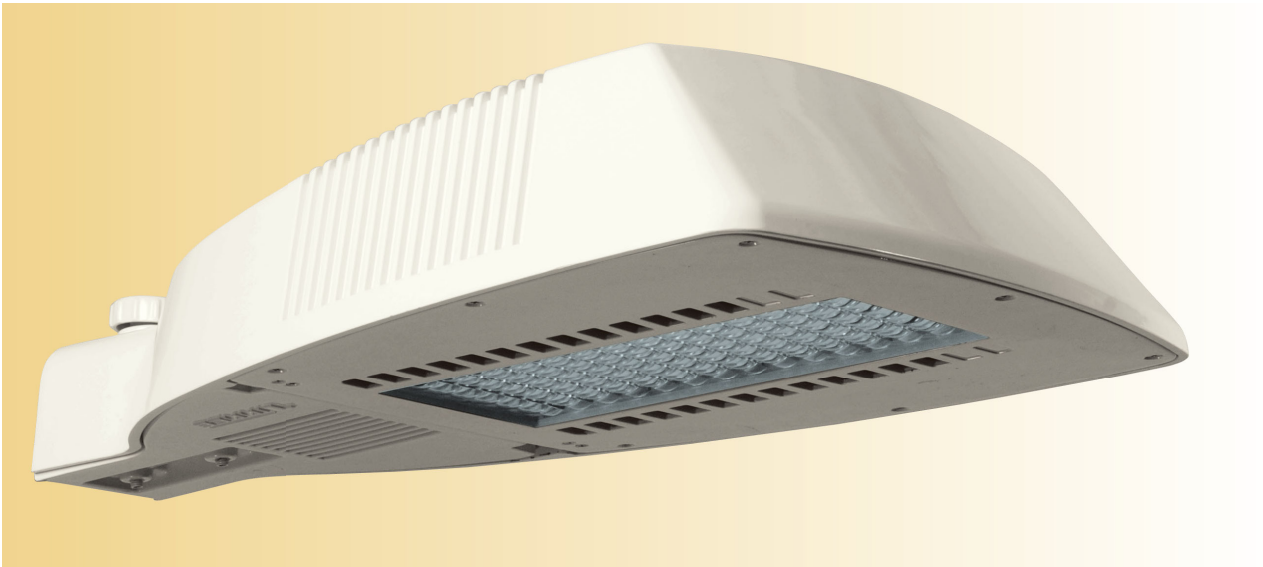
High quality led chip and Driver, 5 years warranty

Tool-less removable power tray assembly for ease of maintenance

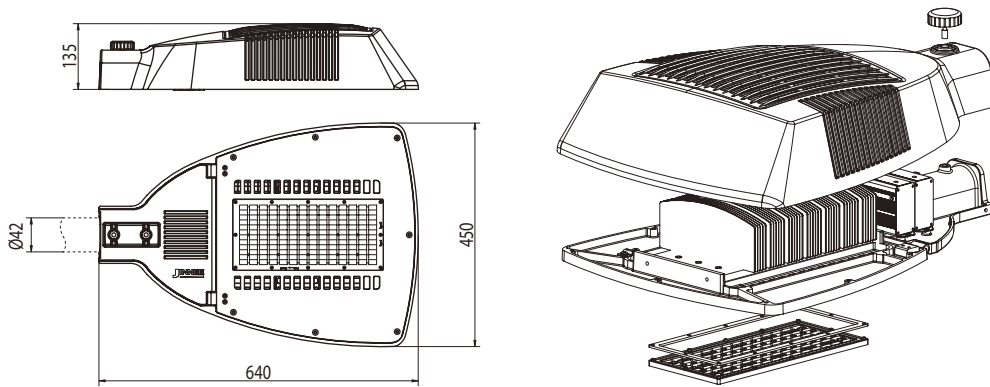
Model No. HL58, Name:Palm



Model No. HL58, Name:Palm



Dimension



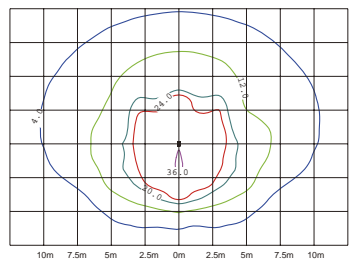
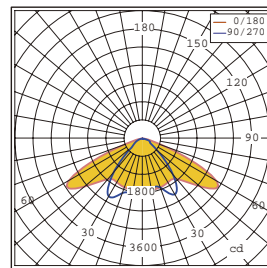
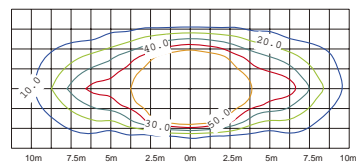
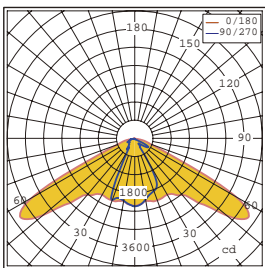
Photometrics

TypeI Photometric curve

Lamp:50W LED Height 5m

TypeIII Photometric curve

Lamp:50W LED Height 5m



Lamp:80W LED

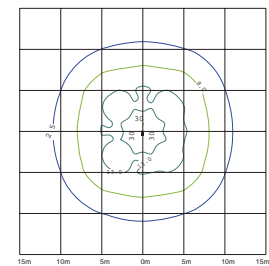
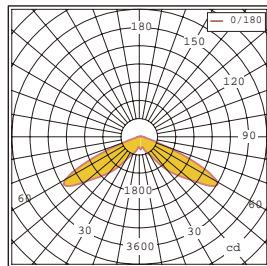
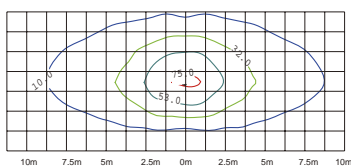
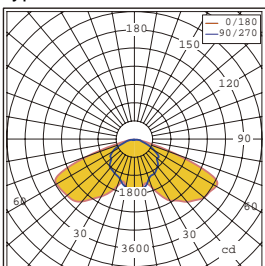
Lamp:80W LED

TypeII Photometric curve

Lamp:50W LED Height 5m

TypeV Photometric curve

Lamp:50W LED Height 5m



Lamp:80W LED

Lamp:80W LED

**Specifications**

**Application:** Roads and highways, Urban roads and street, Squares areas, Pedestrian areas, Parks

**Installing Hight:** 3-12m

**Mounting :** Side-entry, Ø42mm x120mm spigot

**Lamps:** LED modules, LEDM-01

**Lamp wattage:** 20W-160W

Input Voltage: 90-305V AC, 50/60HZ, or 12V/24V DC

Power Factor: >0.9

Luminous Flux: >100lm/W

LED Chips Brand: CREE, OSRAM, Philips, Bridgelux

LED Driver Brand: MEAN WELL, MOSO, INVENTRONICS

Color Temperature(CCT): 3000K, 4000K, 5000K, 6500K

Color Rending Index(CRI): Ra>70

Beam Angel: 120x60°

Working Temperature: -40℃ to 50℃

Working Lifetime: 50000 hours

**Material:** FRP & aluminium, fiber glass cover, aluminium sink,

Cover: Fiberglass-reinforced plastics, excellent

mechanical strength and bear the causticity

Driver housing: Heavy-duty die cast aluminium

Heat Sink: 6063 Extrude aluminium,

lens: High efficiency acrylic refractor

**Color:** Standard painting colors is black (BK), dark grey(GY)

(RAL7016), light grey(LG)(RAL7042), silver grey(SG), White(WH),

other colors are available

**Standard:**

Isolation degree Class I, IP Rating(optical) IP65



**Order information**

Order No.	Lamp Wattage	LED chips Qty/Brand	Luminous Flux /Current If	Install Height	Gross/Net Weight	Dimension L*W*H(cm)	Packing L*W*H(cm)	QTY(pcs) 20'/40'GP
HL58-20-BR	20W	18pcs/Bridge	2160lm/350mA	3m-6m	10kg /9kg	64X45X13.5	72x55x20	350 /700
HL58-20-CR	20W	10pcs/CREE	2100lm/650mA	3m-6m	10kg /9kg	64X45X13.5	72x55x20	350 /700
HL58-30-BR	30W	27pcs/Bridge	3240lm/350mA	3m-6m	10kg /9kg	64X45X13.5	72x55x20	350 /700
HL58-30-CR	30W	14pcs/CREE	3150lm/700mA	3m-6m	10kg /9kg	64X45X13.5	72x55x20	350 /700
HL58-40-BR	40W	36pcs/Bridge	4320lm/350mA	3m-6m	10kg /9kg	64X45X13.5	72x55x20	350 /700
HL58-40-CR	40W	20pcs/CREE	4500lm/700mA	3m-6m	10kg /9kg	64X45X13.5	72x55x20	350 /700
HL58-50-BR	50W	44pcs/Bridge	5280lm/350mA	6m-9m	10kg /9kg	64X45X13.5	72x55x20	350 /700
HL58-50-CR	50W	24pcs/CREE	5400lm/700mA	6m-9m	10kg /9kg	64X45X13.5	72x55x20	350 /700
HL58-60-BR	60W	54pcs/Bridge	6480lm/350mA	6m-9m	10kg /9kg	64X45X13.5	72x55x20	350 /700
HL58-60-CR	60W	30pcs/CREE	6300lm/650mA	6m-9m	10kg /9kg	64X45X13.5	72x55x20	350 /700
HL58-70-BR	70W	60pcs/Bridge	7200lm/350mA	6m-9m	10kg /9kg	64X45X13.5	72x55x20	350 /700
HL58-70-CR	70W	33pcs/CREE	7425lm/700mA	6m-9m	10kg /9kg	64X45X13.5	72x55x20	350 /700
HL58-80-BR	80W	72pcs/Bridge	8640lm/350mA	6m-9m	11kg /10kg	64X45X13.5	72x55x20	350 /700
HL58-80-CR	80W	36pcs/CREE	8100lm/700mA	6m-9m	11kg /10kg	64X45X13.5	72x55x20	350 /700
HL58-100-CR	100W	48pcs/CREE	10800lm/700mA	10m-12m	11kg /10kg	64X45X13.5	72x55x20	350 /700
HL58-120-CR	120W	55pcs/CREE	12375lm/700mA	10m-12m	11kg /10kg	64X45X13.5	72x55x20	350 /700
HL58-140-CR	140W	66pcs/CREE	14850lm/700mA	10m-12m	11kg /10kg	64X45X13.5	72x55x20	350 /700
HL58-150-CR	150W	72pcs/CREE	16200lm/700mA	10m-12m	11kg /10kg	64X45X13.5	72x55x20	350 /700
HL58-160-CR	160W	78pcs/CREE	17550lm/700mA	10m-12m	11kg /10kg	64X45X13.5	72x55x20	350 /700