

SPECIALY FORMED BASE WITH DECORATIVE BASE COVER

SPECIFICATIONS:

PS06B pole: high-tensile carbon steel, 90 or 102mm round straight non-tapered shaft, welded together with an 165 mm specially formed round high-tensile carbon-steel pole base. the entire shaft assembly is hot dipped galvanised.
A 90 by 180mm maintenance opening,complete with cover and ground connector,is centered 330mm from the bottom of the anchor plate.

Base cover : made of one pieces of fiberglass-reinforced plastics, mechanically assembled together with stainless screws. There is one door in the base cover to access the maintenance opening.

Pole top tenon: high-tensile carbon steel tube,round welded to shaft,standard sizes are 76mm O.D. x 90mm long,special size is available.

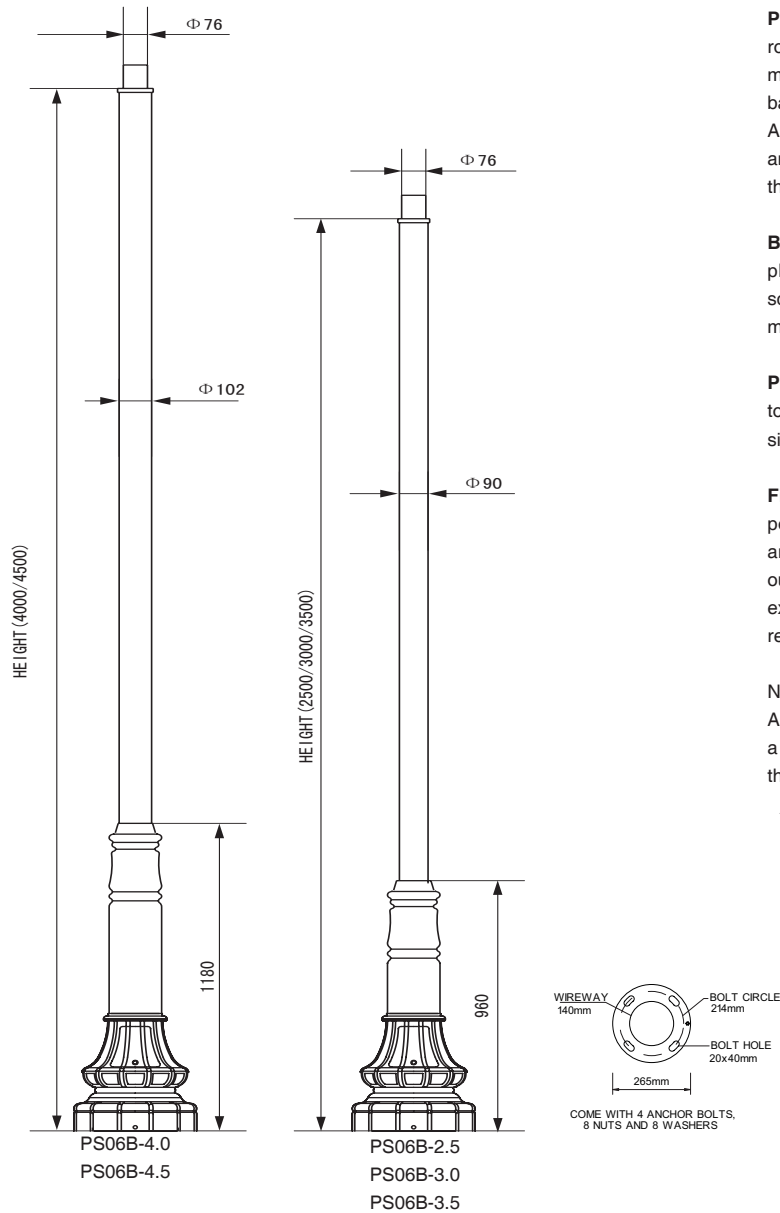
Finish: "Hot Dip" chemical etching preparation. Polyester powder coat textured finish. Standard colors is black (BK) and dark bronze (DB), other colors is available,please see our color tables or standard RAL color. Durable UV-resistant exterior finish as per # ASTM G7 and outstanding salt-spray resistance according to # ASTM D2247 testing procedures.

Note: EPA recommendations are calculated according to AASHTO 1994 standards and include a 30% gust factor, with a 50-lb. (22.7 kg) load applied 1ft. (305 mm) above the top of the pole.

风载计算中

1MPH=1.61公里/小时,

1SQ. FT=0.0929平方米



ORDERING INFORMATION (订购信息)

CATALOG NUMBER (产品编号)	NOMINAL HEIGHT (高度)	WALL SECTION (杆上径)	WALL THICKNESS (壁厚)	WEIGHT* (重量)	EPA RATING (可承受最大风载面积)			ANCHOR BOLTS (基础螺栓)	QUANTITIES (装箱数量)	
					70MPH	80MPH	100MPH		20"	40"
	M	mm	mm	KG	SQ.FT	SQ.FT	SQ.FT	Φmm	Sets	Sets
PS06B-2.5	2.5	90	3.0	31	30	27	17	16-530	240	480
PS06B-3.0	3.0	90	3.0	34	30	25	15	16-530	120	360
PS06B-3.5	3.5	90	3.0	37	25	19	13	16-530	120	360
PS06B-4.0	4.0	102	3.0	44	13	10	6	16-530	120	240
PS06B-4.5	4.5	102	3.0	47	10	8	5	16-530	120	240

*WEIGHT WITHOUT Bolt, bolt weight 5kg, base cover weight 4kg

Ordering number & sample
(订购号及示例)

Pole Catalog Number - Color Code

PS06B-3.5-BK
PT06B-4.0-DB

FLUTE POLE WITH SPECIALLY FORMED BASE



技术说明:

PS06灯杆

- $\Phi 90\text{mm}$ 或 $\Phi 102\text{mm}$ 优质碳素钢杆，高度3-4.5米，底部 $\Phi 165\text{mm}$ 花形钢底座牢固焊接后整体热浸镀锌处理。灯杆与底部钢法兰盘双面牢固焊接，整体高质量热浸镀锌处理，通过3000小时以上抗盐雾试验。
- 90x180mm维护门，配置防盗门盖和接地线装置，中心离法兰底面330mm。

装饰底座

- 船用SMC模压，抗冲击，50年以上使用寿命，用不锈钢螺丝与灯杆固定，装饰底座开门方便维护。
- 非金属、非塑料，具有很好的防盗功能。

灯杆顶部接口

- 顶部用优质碳钢焊接在灯杆上，标准接口： $\Phi 76\text{mm}$ ，长90mm。

表面处理

- 热浸镀锌处理后，表面聚酯粉体涂装，
- 标准颜色为黑色，深青铜色，可以选择其它颜色，参见本公司颜色表或标准颜色表
- 使用符合ASTM G7标准的高耐候性的室外用粉体，ASTM D2247实验中有突出的抗盐雾性能。

